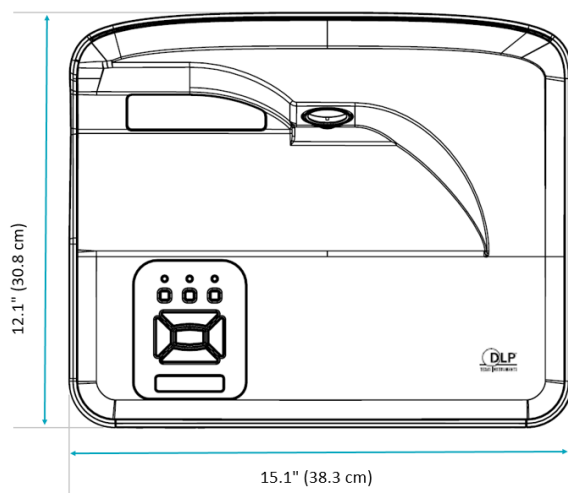
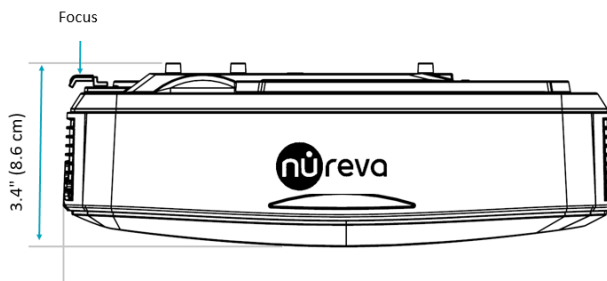


Interactive Projector

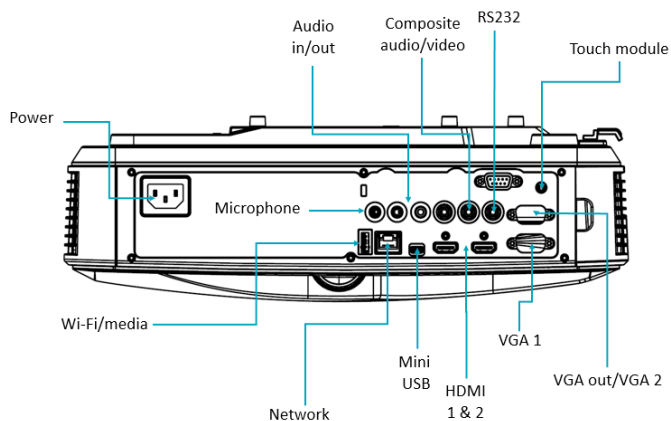
Projector details		
Projector type	WM210i	WM307i
Resolution	1920 x 720	1920 x 1080
Aspect ratio	16:6	16:9
Image size	10' 2" x 46" (3.10 m x 1.17 m)	7' x 47" (2.13 x 1.20 m)
Brightness	3000 ANSI lumens	3300 ANSI lumens
Light source	Solid state: blue-laser diodes	
Throw ratio	0.25	
Brightness uniformity	80% (JBMA)	
Contrast	1800:1 (native)/10,000:1 (APM)	
Digital micromirror device (DMD)	TI 0.65" 1080p S600	
Speaker	10W	
Dimensions (Width x depth x height)	15.1" x 12.1" x 3.4" (38.3 x 30.8 x 8.6 cm)	
Net weight	15.2 lb. (6.9 kg)	
Shipping dimensions (Width x depth x height)	20.4" x 16.5" x 12.9" (51.8 x 42.0 x 32.8 cm)	
Shipping gross weight	18.5 lb. (8.4 kg)	



Projector input/output connections	
Input I/O	VGA In x 1
	Audio In 3.5 mm jack (blue) x 1
	Composite video x 1
	Composite audio In: RCA-left (white) x1/RCA-right (red) x 1
	HDMI x 2 (support for MHL 2.0 on HDMI 2)
	Microphone 3.5 mm jack (pink) x 1
	RS-232C (DB9 female: 9600bps) x 1
Output I/O	VGA Out/VGA 2
	Audio out 3.5 mm jack (green) x 1
Power	AC power IEC-C14, 110/220 V
Cabling	Power cord, IEC60320-C13 to NA, 14.8' (4.5 m), white USB cable, USB-B Mini to USB-A, 6' (2 m), black
Multimedia control	RJ45 X1 (Fast Ethernet 100Base-T)
	USB-A x 1
Touch module	Laser curtain jack x 1



Certification and operating	
Power consumption	335W (typical); 225W (ECO)
Standby power	Idle without LAN wakeup: <0.5W
Electromagnetic compatibility	FCC, CE, CB
Safety	TUV, cUL, RCM, FDA
Rating	Universal switching 100 – 240V AC, 50 – 60HZ, 3.5A
Noise level	Full-mode: 36dBA (typical)/38 dBA (maximum)
	ECO mode: 32dBA (typical)/35 dBA (maximum)
System temperature/humidity	Operating: 5°C to 40°C/5% – 90% (noncondensing)
	Storage: 0°C to 60°C/5% – 95% (noncondensing)
	Shipping: -20°C to 60°C/5% – 95% (noncondensing)
Thermal protection	Auto ECO: Ambient temperature exceeds 40°C
	Auto-shutdown: Ambient temperature exceeds 47°C
Environment	RoHS, WEEE, REACH



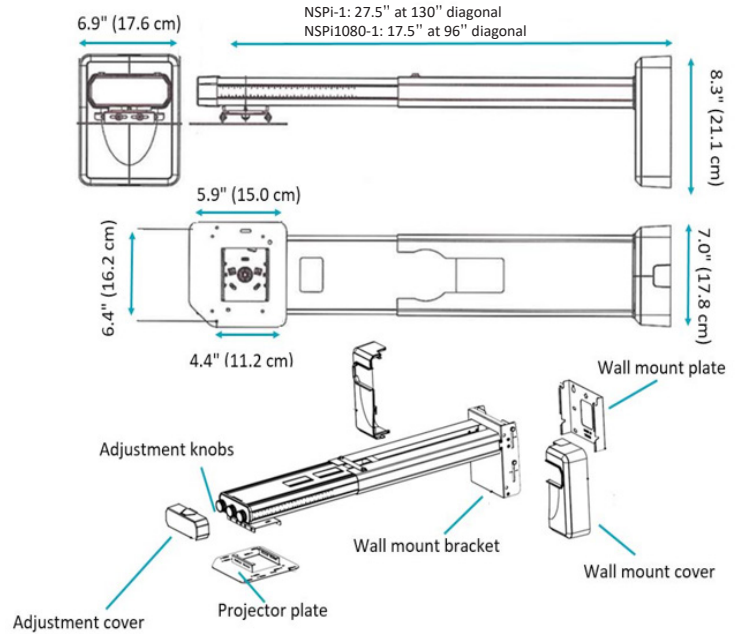
Adjustable wall mount

Wall mount details

Material	Steel + aluminum + plastic
Adjustment knob	Pitch/Roll/Yaw +/- 10°
Maximum weight supported	33 lb. (15 kg)
Wall-mount tilt	+/- 5°
Projector tilt	+/- 10°
Horizontal adjustment	2.3" (6 cm)
Depth adjustment range	Max. 29.3", Min. 16.7" (Max. 74.4 cm, Min. 42.4 cm)
Dimensions (Width x height)	6.9" x 8.3" (17.6 x 21.1 cm)
Net weight	8.8 lb. (4.0 kg)
Shipping dimensions (Width x depth x height)	21.1" x 11.8" x 7.5" (53.7 x 30.0 x 19.0 cm)
Shipping gross weight	10.6 lb. (4.8 kg)

Certification

Load test	CE/EN60950 compliant
-----------	----------------------



Touch module

Touch module details

Image size support	WM210i - 130" (3.3 m) WM307i - 96" (2.44 m)
Touch points	Up to 10 multitouch points
Calibration	Auto calibration or manual 9-point calibration
OS support	Windows® 8.1 and up
Driver	Human interface device (HID)
Cabling	Power cord 6.6' (2.0 m)
Dimension (Width x depth x height)	5.8" x 1.5" x 1.9" (14.7 x 3.8 x 4.8 cm)
Net weight	0.5 lb. (0.2 kg)
Shipping dimensions and gross weight	N/A – included with projector

Touch module specifications

Laser diode	IR laser 825nm x1
Distance of touch curtain to image	Between 1.5" – 4" (4 – 10 cm)
Alignment	Visible red lasers x 2
Wall flatness	<1/4" (5 mm)

Certification

Laser safety	UL Class 1
--------------	------------

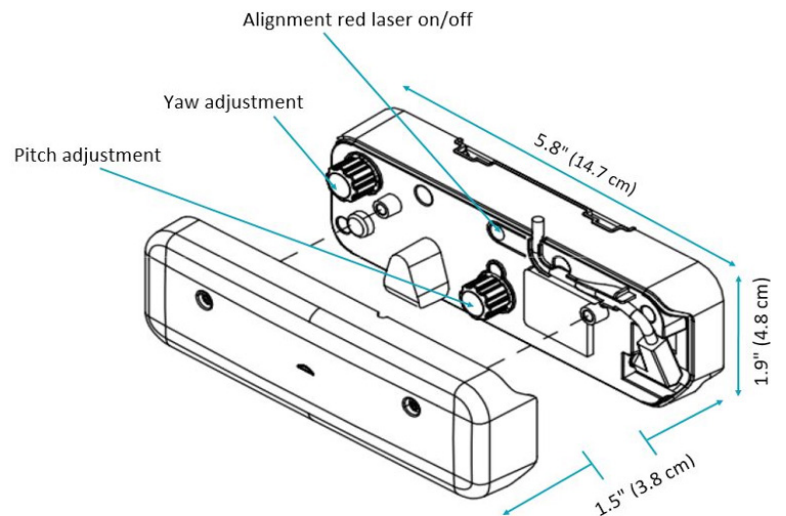


Image alignment module

Image alignment module details

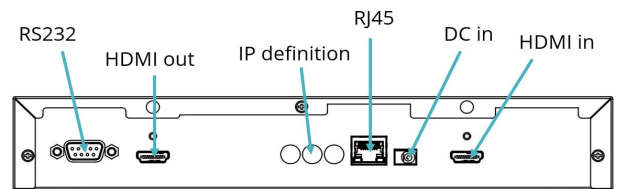
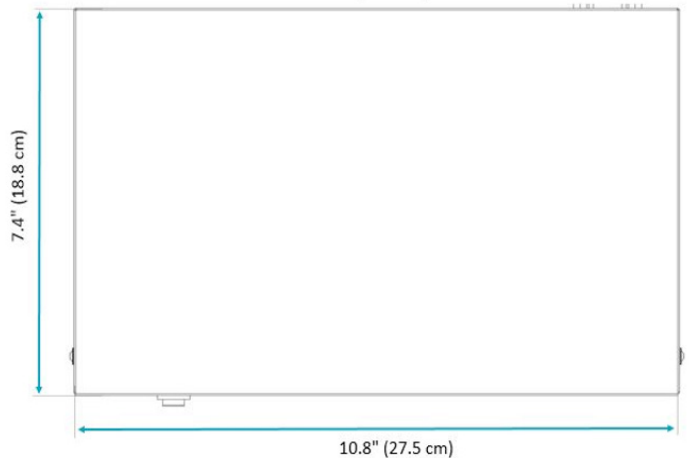
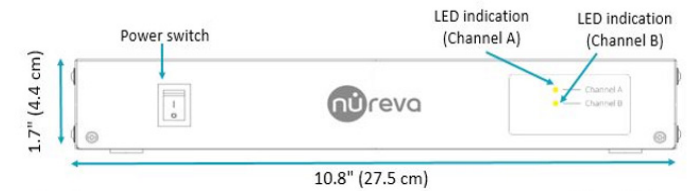
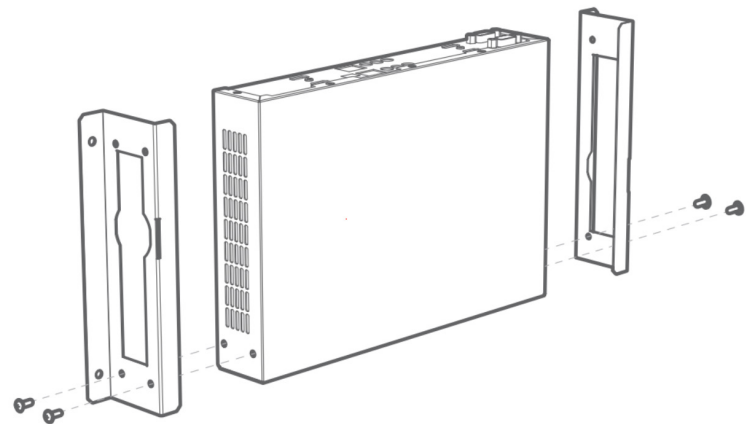
Channel synchronization	Independent
Grid point distortion (Corner, barrel, pincushion)	3 x 3, accessed via Span center
Image alignment discretion	1 pixel
Dimensions (Width x depth x height)	10.8" x 7.4" x 1.7" (27.5 x 18.8 x 4.4 cm)
Net weight	3.0 lb. (1.4 kg)
Shipping dimensions (Width x depth x height)	13.4" x 6" x 10.8" (34.1 x 15.3 x 27.5 cm)
Shipping weight	5.7 lb. (2.3 kg)

Input/output connections

Input I/O	HDMI
	Control port RJ45
	Debug port RS232
	IP definition xxx switch (192.168.0.xxx); rotary switch control
Output I/O	HDMI
Power	DC power port, 19 V
Rotary switch control	Last digit of IP address 192.168.0.xxx
LAN control	100 BaseT
RS232 Message out	Baud rate 115,200
Cabling	Power cord, IEC60320-C5 to NA, 1 m, black
	Format: Linear PCM (IEC60958)
	Sampling rate: 32K/441.K/48K Hz Sample size: 16/20/24 bits
Audio pass-through	Interface: HDMI in, HDMI out
	Default resolution: 1920 x 720
	Output resolution: 1920 x 720 60Hz (Default) 1920 x 1080 60Hz
	HDMI Spec: 1.3
	HDCP Spec: 1.1

Certification and operating

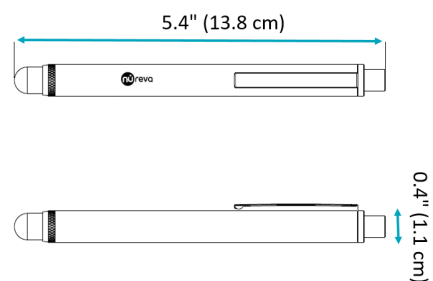
Power consumption	40W (typical) including power adapter consumption
Electromagnetic compatibility	FCC, CE EMC
Safety	UL/cUL (UL 60950-1 and CAN/CSA C22.2)
Rating	Universal switching 100 – 240V AC, 50 – 60Hz, 1.7A; DC out 19V 3.4A (65W adapter)
Noise level	Full-mode: 30 dBA (typical)/33 dBA (maximum)
System temperature/humidity	Operating: 0°C to 40°C/5°C to 40°C, 80% RH (noncondensing)
	Storage: -20°C to 60°C/80% RH (noncondensing)



Stylus

Stylus details

Image size support	WM210i - 130" (3.3 m) WM307i - 96" (2.44 m)
Pen tip	Replaceable polyethylene nib
Batteries	Not required
Dimension (Length x diameter)	5.4" x 0.4" (13.8 x 1.1 cm)
Net weight	0.7 oz (20 g)
Shipping dimensions and gross weight	N/A – included with projector



Nureva Span system

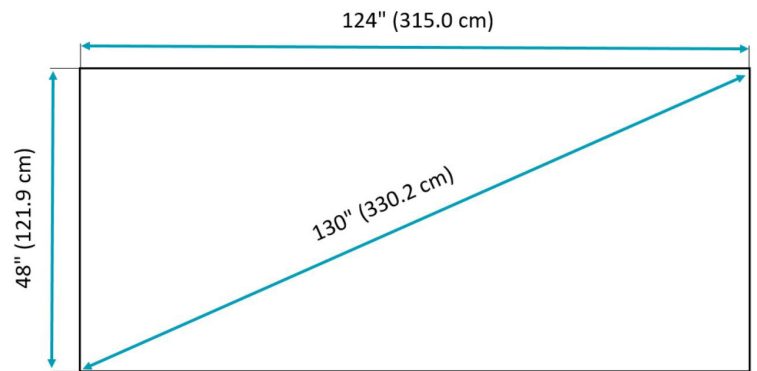
Accessory specifications

WhisperTek™ surface

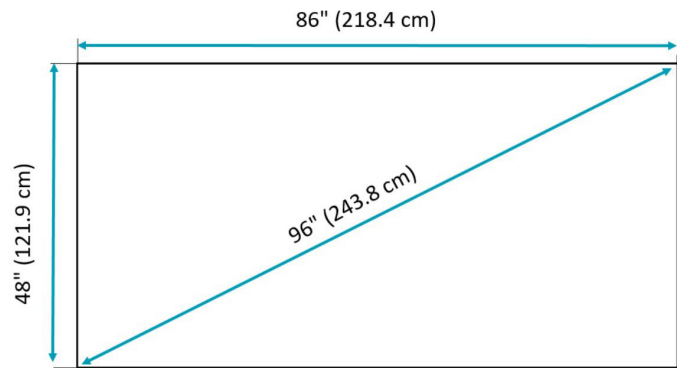
WhisperTek details		
	NSUR/NSUR 2	NSUR HD
Dimensions (Width x depth x height)	124" x ¼" x 48" (315.0 x 0.3 x 121.9 cm)	86" x ¼" x 48" (218.4 x 0.3 x 121.9 cm)
Application	Suitable for all smooth, painted surfaces that meet the touch module wall flatness requirement	
Material – front	High-pressure laminate	
Material – back	Double coated polyethylene foam with acrylic adhesive	
Laminate construction	Flexible roll	
Color	Opaque white	
Finish	Projection-friendly matte finish	
Net weight – single	11 lb. (5 kg)	
Shipping dimensions (Width x depth x height)	20" x 20" x 50" (50.8 x 50.8 x 127.0 cm)	
Shipping gross weight	NSUR1-1 (single): 18.0 lb. (8 kg)	
	NSUR2-1 (dual): 29.0 lb. (13 kg)	

Operating	
System temperature/humidity	Operating: 5°C to 35°C/5% – 90% (noncondensing)
	Storage: 0°C to 60°C/5% – 95% (noncondensing)
	Shipping: -20°C to 60°C/5% – 95% (noncondensing)
	Application: 20°C to 35°C
Care and maintenance	Clean with mild soap and water solution

Standards	
Reflectivity	Excellent; 10 gloss units per ASTM D 535
Durability	Meets or exceeds ANSI/NEMA-LD3-2005



For WM210i



For WM307i